

Std. Dwg. No.	Descriptions	Std. Dwg. No.	Descriptions
<p>Q-0002 Q-0003 Q-0004 Q-0005 Q-0006</p> <p>DS-070 DS-071 DS-076 DS-077 DS-078</p> <p>DS-079 DS-080</p>	<p align="center"><b>STORMWATER QUALITY</b></p> <p>FLUSH KERBING AND GRASS BUFFER STRIP DETAIL UNDERDRAINAGE FLUSH OUT POINT IN STREETSCOPE SELF WATERING STREET TREE CONSTRUCTED WETLAND INLET ZONE WEIR DETAILS CONSTRUCTED WETLAND RISER PIT</p> <p align="center"><b>BIORETENTION</b></p> <p>IPWEAQ STANDARD DRAWINGS BIORETENTION DRAINAGE PROFILE-TYPE 1 SATURATED ZONE-UNCONSTRAINED BIORETENTION DRAINAGE PROFILE-TYPE 1 SATURATED ZONE-CONSTRAINED BIORETENTION WEIR BIORETENTION STREET TREE BIORETENTION STANDARD NOTES</p> <p align="center"><b>SWALES</b></p> <p>IPWEAQ STANDARD DRAWINGS STREETSCAPE SWALE-TYPICAL SECTION SHEET 1 OF 2 STREETSCAPE SWALE-TYPICAL SECTION SHEET 2 OF 2</p>		

A	ORIGINAL ISSUE	8/6/16
	REVISIONS	DATE



**Whitsunday**  
Regional Council

Email: [info@whitsundayrc.qld.gov.au](mailto:info@whitsundayrc.qld.gov.au) Web: [www.whitsundayrc.qld.gov.au](http://www.whitsundayrc.qld.gov.au)

**BOWEN**  
67 Herbert St  
Bowen 4805 Q  
Ph 07 4761 3600

**COLLINSVILLE**  
Cnr Stanley & Conway Sts  
Collinsville 4804 Q  
Ph 07 4785 5366

**PROSERPINE**  
83-85 Main St  
Proserpine 4800 Q  
Ph 07 4945 0200

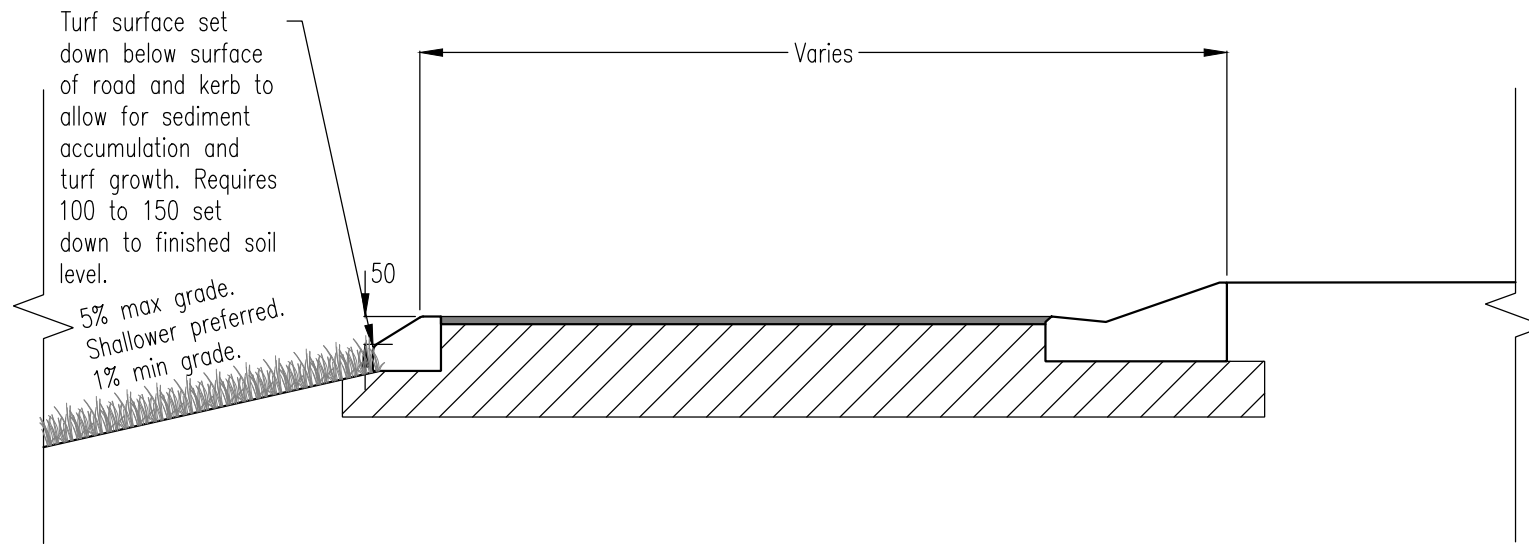
**INDEX**  
**STANDARD DRAWINGS**  
**STORMWATER QUALITY**

SW QUALITY  
Standard  
Drawing  
**Q-0001**

A | | | | |

**NOTES:**

1. Engineering works to be in accordance with councils engineering guidelines, standards and specifications.
2. All dimensions in millimetres unless specified otherwise.
3. Ensure appropriate drainage downstream of buffer. Design to suit context (eg. open space, swale).



TYPICAL SECTION

A	ORIGINAL ISSUE	8/6/16
	REVISIONS	DATE



Whitsunday  
Regional Council

Email: [info@whitsundayrc.qld.gov.au](mailto:info@whitsundayrc.qld.gov.au) Web: [www.whitsundayrc.qld.gov.au](http://www.whitsundayrc.qld.gov.au)

**BOWEN**  
67 Herbert St  
Bowen 4805 Q  
Ph 07 4761 3600

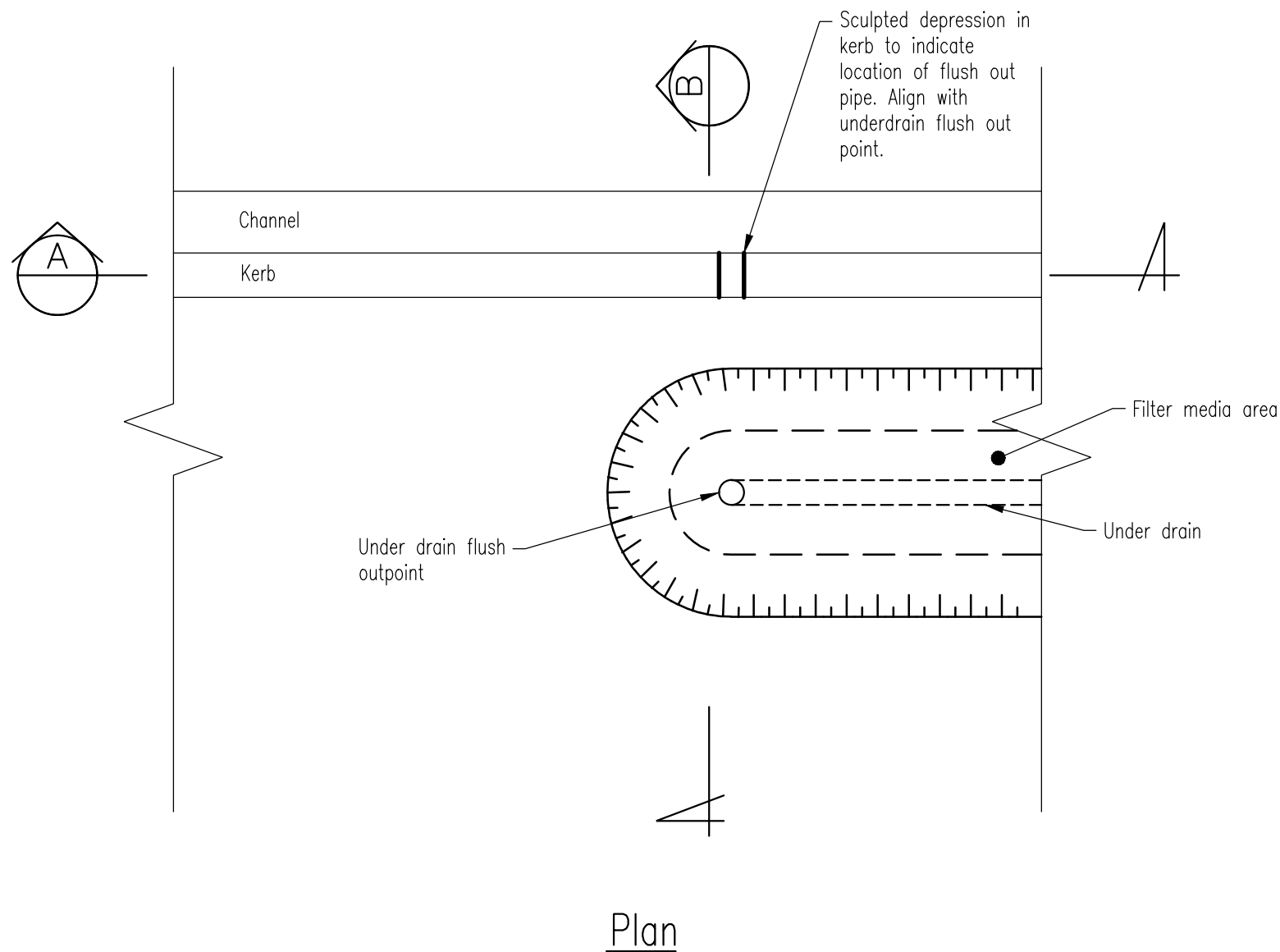
**COLLINSVILLE**  
Cnr Stanley & Conway Sts  
Collinsville 4804 Q  
Ph 07 4785 5366

**PROSERPINE**  
83-85 Main St  
Proserpine 4800 Q  
Ph 07 4945 0200

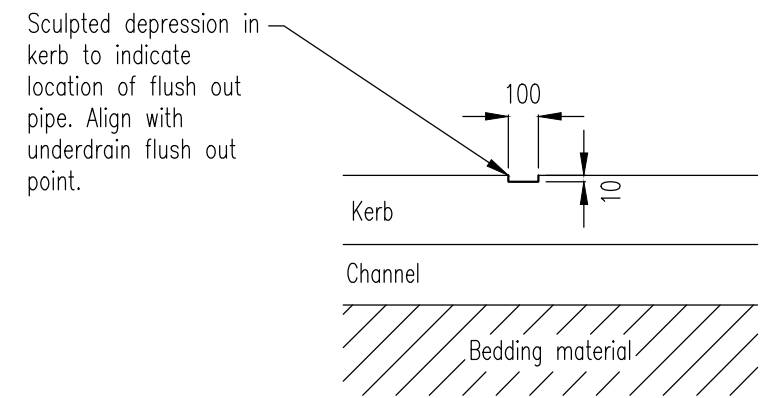
**FLUSH KERBING AND  
GRASS BUFFER STRIP**

SW QUALITY  
Standard  
Drawing  
**Q-0002**

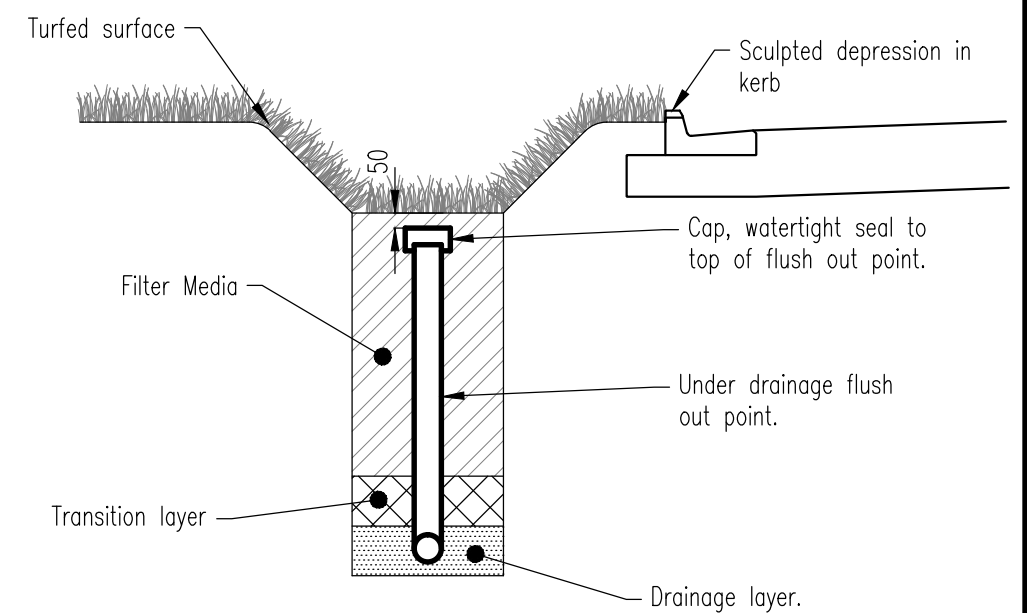
A | | | | |



Plan



Section A



Section B

**NOTES:**

1. For specific bioretention details see drawings DS-070, DS-071, DS-076, DS-077 & DS-078.
2. All measurements in millimetres.

A	ORIGINAL ISSUE	8/6/16
	REVISIONS	DATE



Whitsunday  
Regional Council

Email: [info@whitsundayrc.qld.gov.au](mailto:info@whitsundayrc.qld.gov.au) Web: [www.whitsundayrc.qld.gov.au](http://www.whitsundayrc.qld.gov.au)

**BOWEN**  
67 Herbert St  
Bowen 4805 Q  
Ph 07 4761 3600

**COLLINSVILLE**  
Cnr Stanley & Conway Sts  
Collinsville 4804 Q  
Ph 07 4785 5366

**PROSERPINE**  
83-85 Main St  
Proserpine 4800 Q  
Ph 07 4945 0200

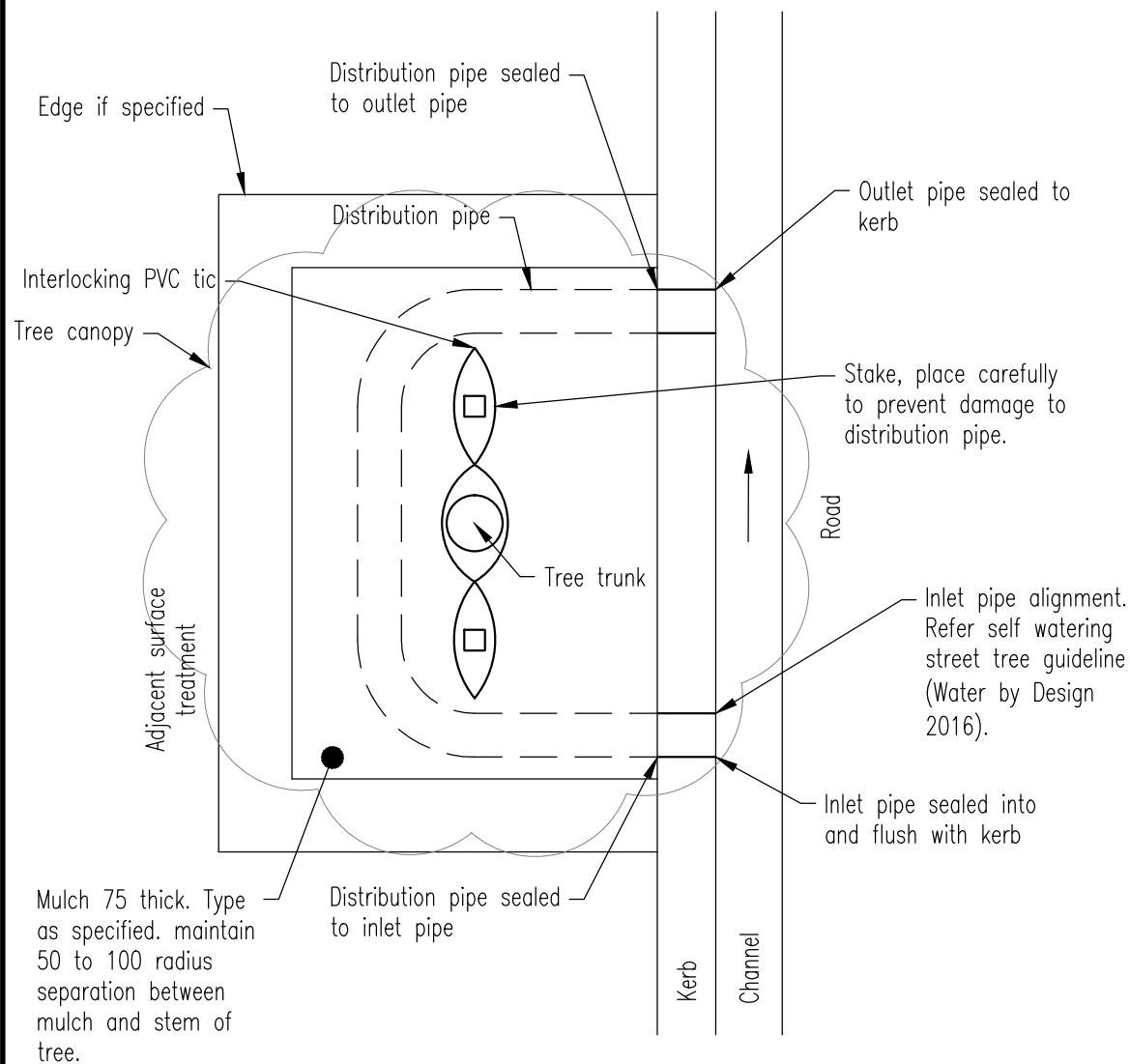
**UNDERDRAINAGE FLUSH OUT  
PIPE IN STREETSCAPE**

**SW QUALITY  
Standard  
Drawing  
Q-0003**

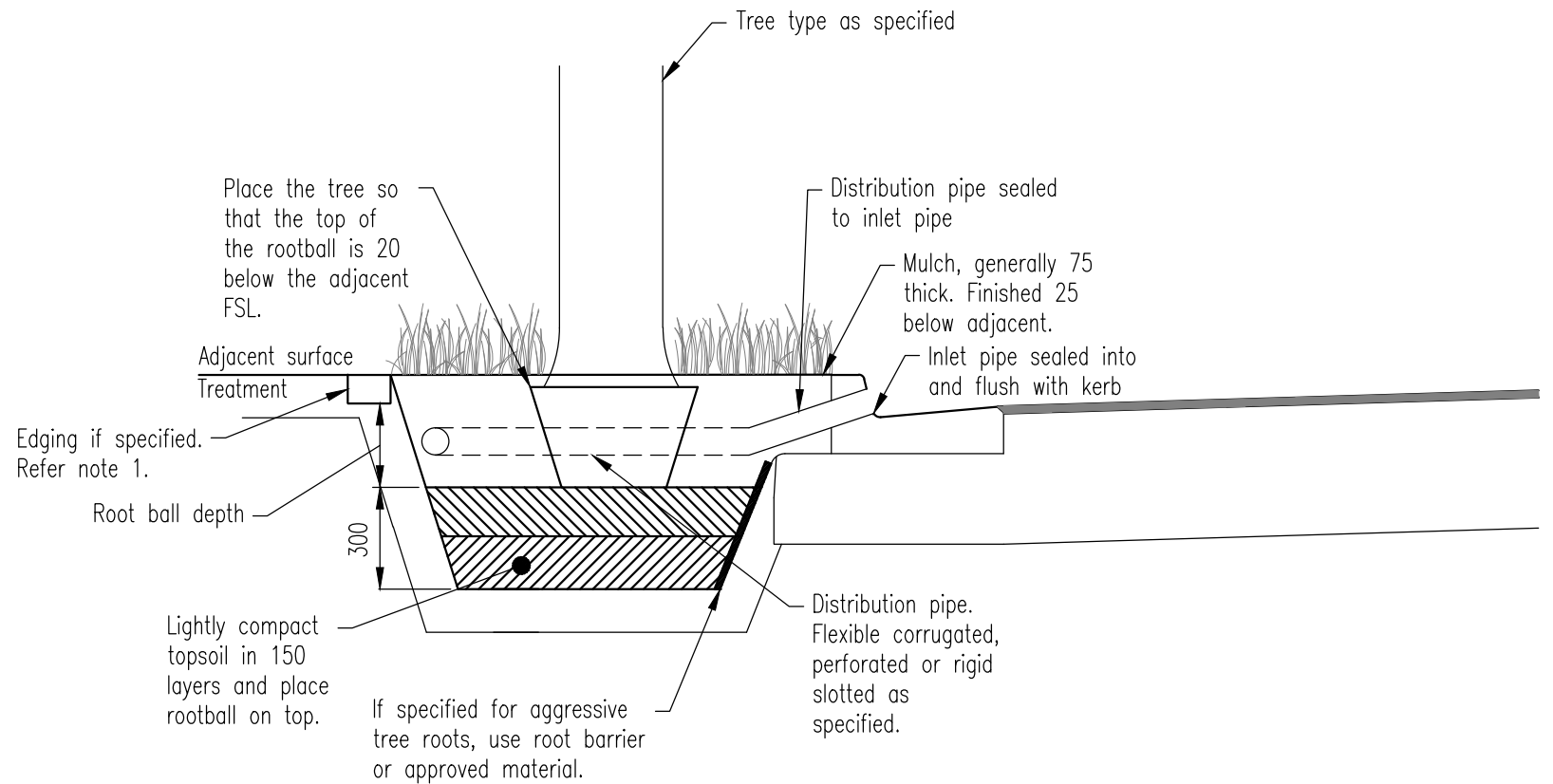
A

**NOTES:**

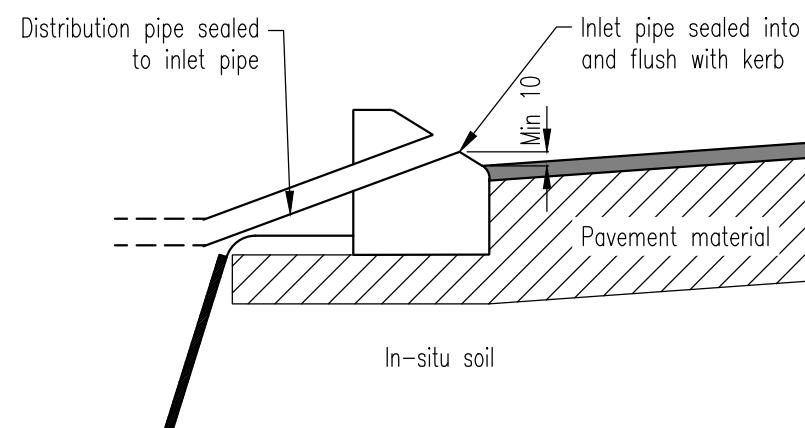
1. Use standard fittings for all connections including joining lengths of pipe.
2. All dimensions in millimetres



Plan



Inlet and kerb detail



Alternate inlet and kerb detail

A	ORIGINAL ISSUE	8/6/16
	REVISIONS	DATE



Email: [info@whitsundayrc.qld.gov.au](mailto:info@whitsundayrc.qld.gov.au) Web: [www.whitsundayrc.qld.gov.au](http://www.whitsundayrc.qld.gov.au)

**BOWEN**  
67 Herbert St  
Bowen 4805 Q  
Ph 07 4761 3600

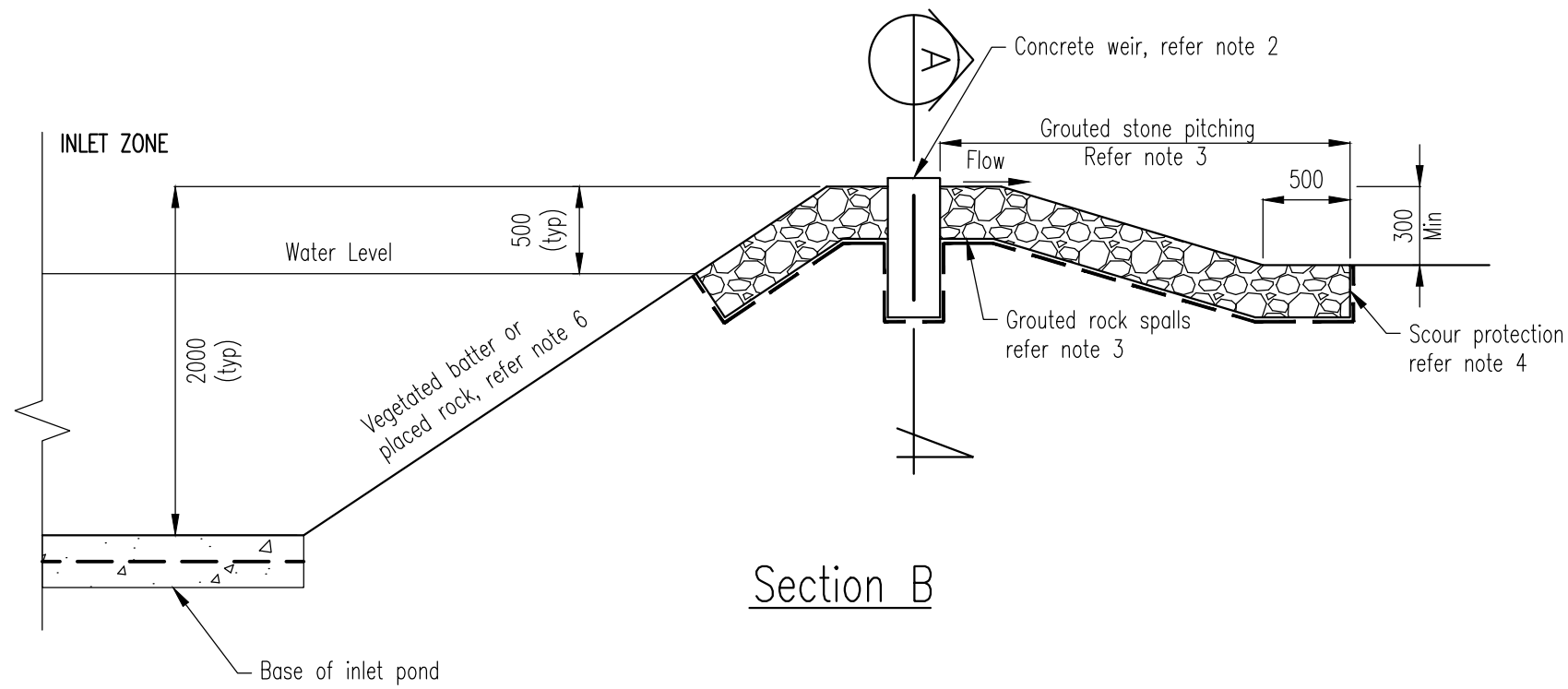
**COLLINSVILLE**  
Cnr Stanley & Conway Sts  
Collinsville 4804 Q  
Ph 07 4785 5366

**PROSERPINE**  
83-85 Main St  
Proserpine 4800 Q  
Ph 07 4945 0200

**SELF WATERING STREET TREE**

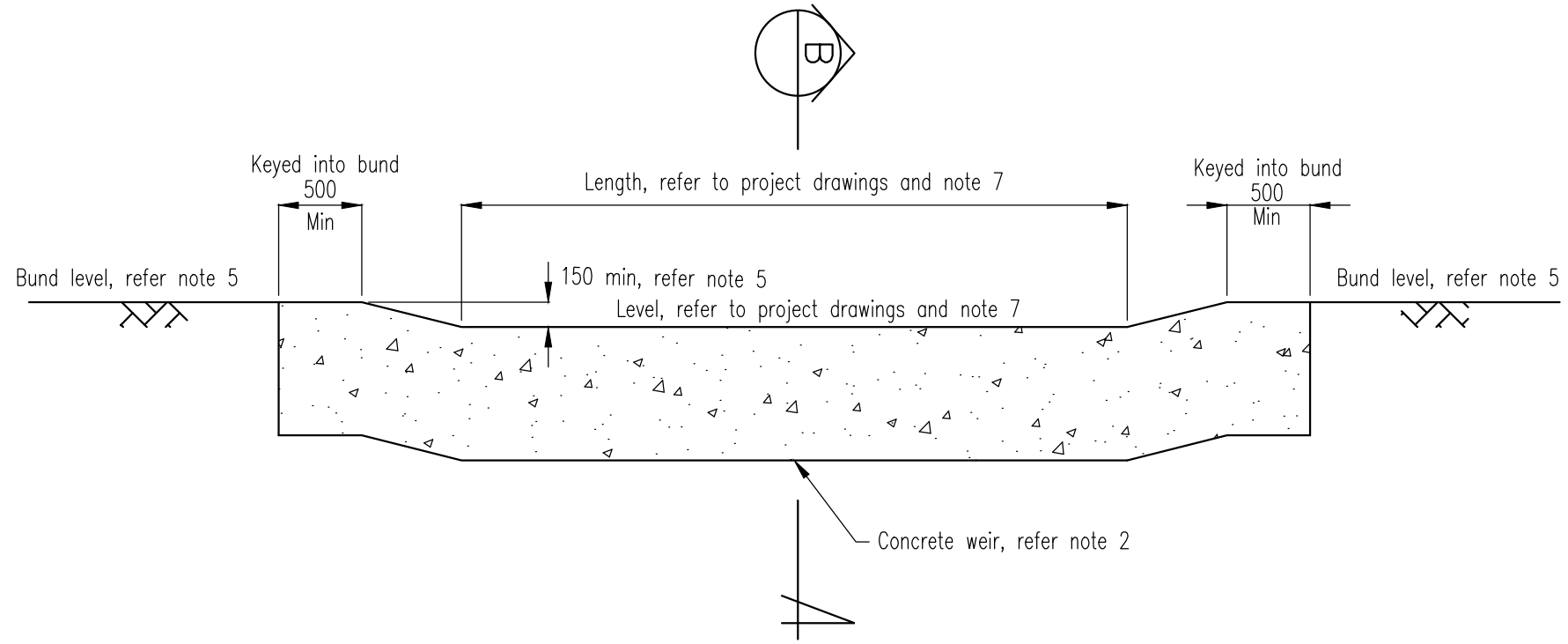
**SW QUALITY  
Standard  
Drawing  
Q-0004**

A



Section B

These drawings have been developed in consultation between participating councils. BEFORE USE, the user shall confirm that the drawing has been adopted by the appropriate council.



Section A

- NOTES:**
1. In situ material to be tested and approved by geotechnical engineer prior to weir construction.
  2. Concrete weir – 300 wide x 800 high concrete (N32) with SL81 mesh placed centrally.
  3. Grouted stone pitching – stones 75–100, 300 thick on filter cloth, non-woven geotextile. Refer landscape drawings and project drawings for plant specification and details. Geotechnical engineer to confirm compaction requirements for bund subsoil. Option to drill 100 cores through to subsoil to provide voids for planting (Subject to flow velocities and local government requirements). Option to use placed rock with void plantings subject to approval by hydraulic engineer and local authority.
  4. For extent and details of scour protection refer to project drawings. Bund levels must be noted on project drawings.
  5. Bund level, refer to project drawings for minimum freeboard requirements.
  6. Refer to project drawings for vegetated batter slope. Batters must be in accordance with local authority safety requirements.
  7. Construction tolerances as documented in the "Water Sensitive Design Construction and Establishment Guidelines – Swales, Bioretention Systems and Wetlands" (Water by Design) must be achieved. Construction tolerances must be noted on project plans. Invert levels of pits, pipes and base levels must be noted on project drawings.
  8. All dimensions are in millimetres unless noted otherwise.

A	ORIGINAL ISSUE	8/6/16
	REVISIONS	DATE



**Whitsunday**  
Regional Council

Email: [info@whitsundayrc.qld.gov.au](mailto:info@whitsundayrc.qld.gov.au) Web: [www.whitsundayrc.qld.gov.au](http://www.whitsundayrc.qld.gov.au)

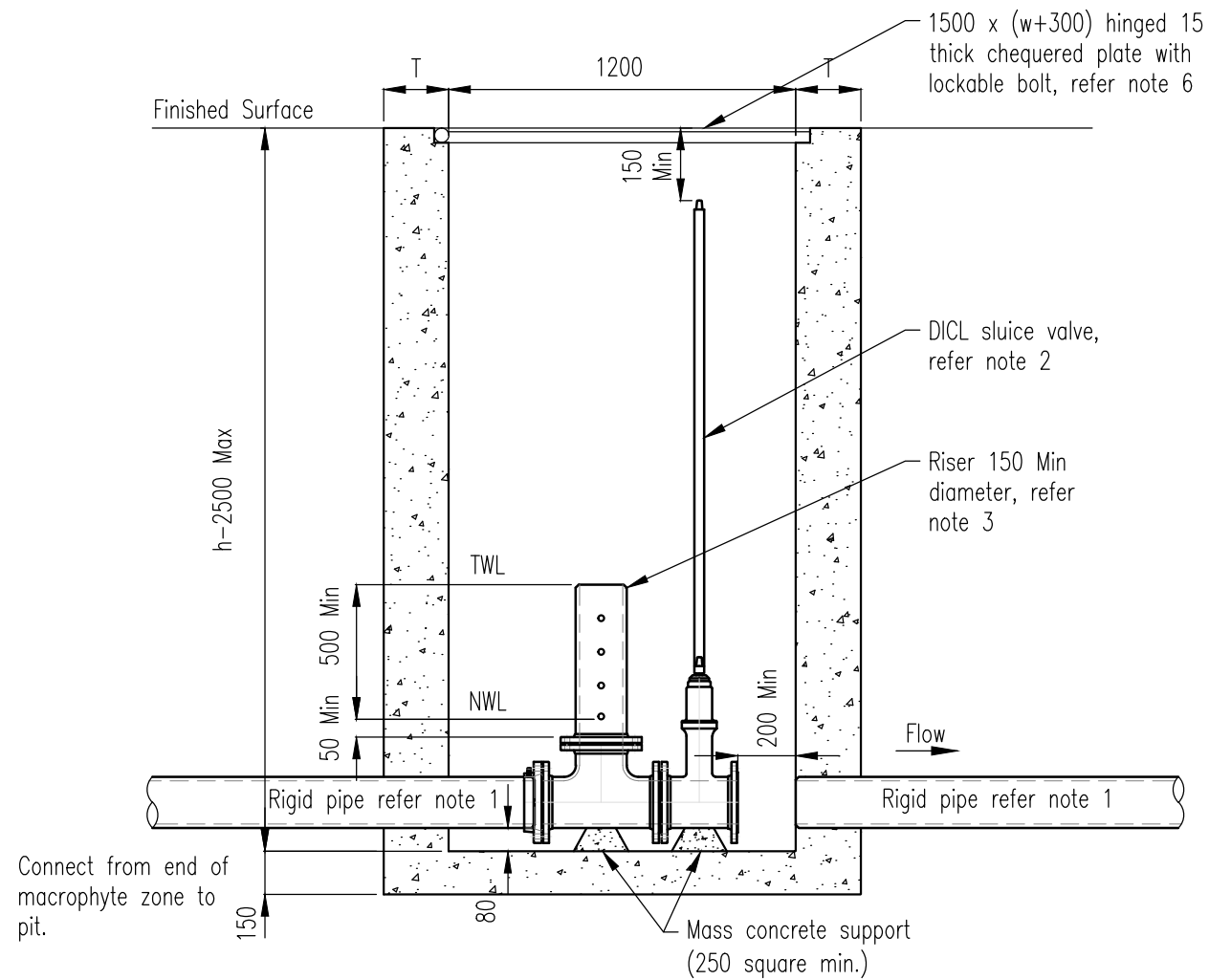
**BOWEN**  
67 Herbert St  
Bowen 4805 Q  
Ph 07 4761 3600

**COLLINSVILLE**  
Cnr Stanley & Conway Sts  
Collinsville 4804 Q  
Ph 07 4785 5366

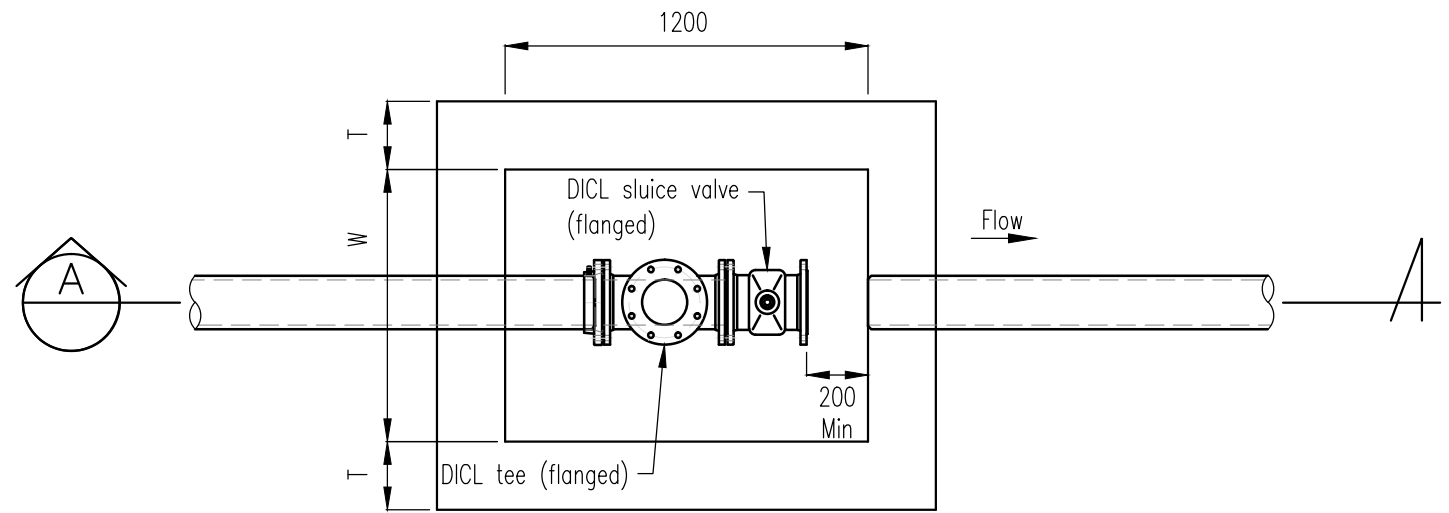
**PROSERPINE**  
83–85 Main St  
Proserpine 4800 Q  
Ph 07 4945 0200

**CONSTRUCTED WETLAND  
INLET ZONE  
WEIR DETAILS**

**SW QUALITY  
Standard  
Drawing  
Q-0005**



Section A



Plan

**NOTES:**

1. Refer to project drawings for rigid pipe diameter and invert level.
2. DICL sluice valve, refer project drawings for valve size. Valve to remain in closed position for normal operation. Valve to be opened to lower the water level for maintenance of the wetland.
3. Riser rigid pipe CL16, refer to project drawings for holes sizes and locations. Hole size and number as per relevant section of "Water Sensitive Urban Design Technical Design Guidelines" (Water by Design).
4. For pits over 2500 in depth refer project drawings for pit dimensions and reinforcing details.
5. Concrete N25 in accordance with AS 1379:2007 AS 3600:2009
6. Lid and frame to be hot dip Galvanised after fabrication to AS 1650:1989.
7. Construction tolerances as documented in the "Water Sensitive Urban Design Construction and Establishment Guidelines – Swales, Bioretention Systems and Wetlands" (Water by Design) must be achieved. Construction tolerances must be noted on project plans. Invert levels of pits, pipes and base levels must be noted on project drawings.
8. All dimensions in millimetres unless noted otherwise.

Pit Dimensions		
Height (h)	Width (w)	Wall thickness
0-1500	600	150
1500-2500	900	225

These drawings have been developed in consultation between participating councils. BEFORE USE, the user shall confirm that the drawing has been adopted by the appropriate council.

REVISIONS	DATE
A ORIGINAL ISSUE	8/6/16



Email: info@whitsundayrc.qld.gov.au Web: www.whitsundayrc.qld.gov.au

**BOWEN**  
67 Herbert St  
Bowen 4805 Q  
Ph 07 4761 3600

**COLLINSVILLE**  
Cnr Stanley & Conway Sts  
Collinsville 4804 Q  
Ph 07 4785 5366

**PROSERPINE**  
83-85 Main St  
Proserpine 4800 Q  
Ph 07 4945 0200

**CONSTRUCTED WETLAND  
OUTLET RISER PIT**

**SW QUALITY  
Standard  
Drawing  
Q-0006**

A