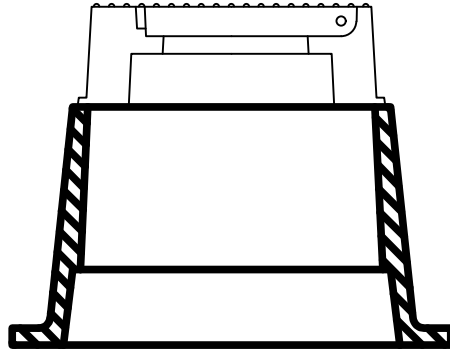
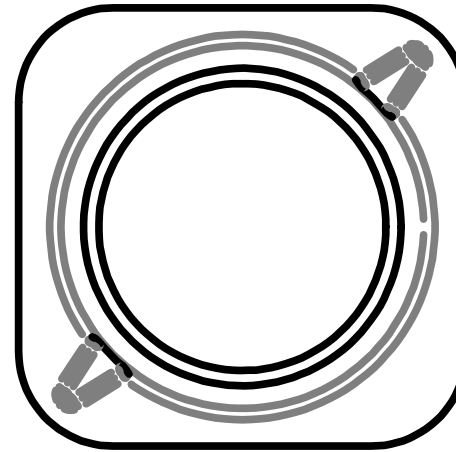


SECTIONAL ELEVATION  
VALVE

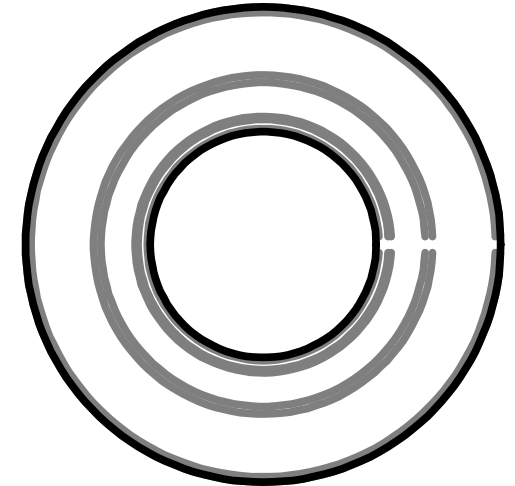


SECTIONAL ELEVATION  
HYDRANT

INSPECTION BOX BASE AND SURROUND (TYPE A)

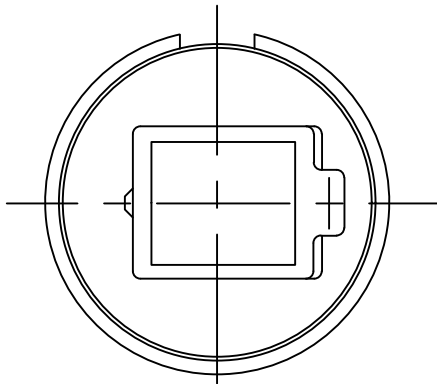


TYPE A  
PLAN

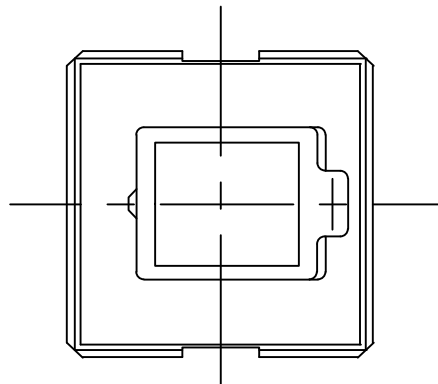


TYPE B  
PLAN

INSPECTION BOX BASE – TYPES



PLAN  
VALVE



PLAN  
HYDRANT

INSPECTION BOX SURROUND AND HINGED LID

NOTES:

1. Valve/hydrant boxes and surrounds are based on CADIA manufactured products. Alternative boxes and surrounds can be adopted subject to approval by Council.
2. Refer to WRC STD DWG W-0060 & W-0063 for typical setup and installation details.
3. Refer to CADIA manufacturer specifications for dimensional information
4. Boxes are to be installed such that lids close in direction of traffic and the closed lid lines up with the direction of the pipe.

|   |  |          |
|---|--|----------|
|   |  |          |
|   |  |          |
|   |  |          |
|   |  |          |
|   |  |          |
| A | DEVELOPMENT MANUAL UPDATES AND AMENDMENTS 2018 | 26/10/18 |
|   | REVISIONS                                      | DATE     |



Email: [info@whitsundayrc.qld.gov.au](mailto:info@whitsundayrc.qld.gov.au) Web: [www.whitsundayrc.qld.gov.au](http://www.whitsundayrc.qld.gov.au)

BOWEN  
67 Herbert St  
Bowen 4805 Q  
Ph 07 4761 3600

COLLINSVILLE  
Cnr Stanley & Conway Sts  
Collinsville 4804 Q  
Ph 07 4785 5366

PROSERPINE  
83-85 Main St  
Proserpine 4800 Q  
Ph 07 4945 0200

HYDRANT AND VALVE BOXES

WATER  
Standard  
Drawing  
W-0061

A | B | C | D | E