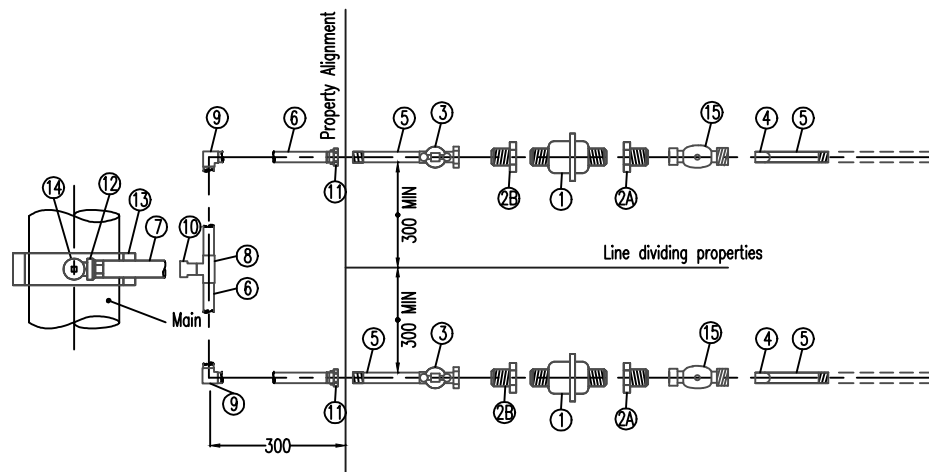
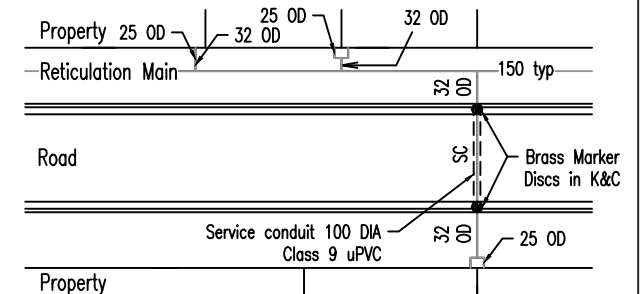


20mm WATER SERVICE & METER
SIDE VIEW



20mm WATER SERVICE & METER (DUAL)
PLAN VIEW

MARK NO	DESCRIPTION
1.	Water Meter. Complete with Backflow to comply with AS 2845.1
2A.	Meter tail piece with BSP-MI end, supplied with meter
2B.	As above except pre-drilled to suit wire seal.
3.	Rt. angled ball valve F-F
4.	Stainless Steel FL Elbow
5.	316 stainless steel pipe or copper (20 NB) pre-bent fixed length pipe to be purchased from council
6.	Polyethylene 25 OD PN16
7.	Polyethylene 32 OD PN16
8.	Poly 25 tee fitting
9.	Poly 25 elbow fitting
10.	Poly reducing fitting 32-25
11.	25 FI-Poly end connector
12.	32 FI-Poly end connector
13.	Gunmetal tapping brand
14.	25x32 OD Poly TPR bonnet poly ferrule stop cock
15.	House hold isolating lockable valve FM Ball



TYPICAL MAIN CONNECTIONS
PLAN VIEW

NOTES:

- Polyethylene (PE) pipe and connectors:
 - All pipe shall be HDPE PN16 in accordance with AS 4130
 - All mechanical joint fittings shall be in accordance with AS 4129
- Cross road services shall be located 1000mm from dividing allotments so as not to conflict with electrical supply authority poles.
- Service pipes to lots other than a single dwelling shall have the service connection pipes upgraded to suit the use. These sizes should be sized to comply with AS3500.1
- All dimensions in millimetres.

REVISIONS	DATE
G DEVELOPMENT MANUAL UPDATES AND AMENDMENTS 2018	26/10/18
F GENERAL UPDATES AND STANDARD REFERENCING AMENDMENTS	27/4/16
E GENERAL UPDATES	9/4/12
D FITTINGS AND DETAILS AMENDED	9/8/10
C MINOR AMENDMENTS	11/7/07
B MINOR AMENDMENTS	10/3/98
A ORIGINAL ISSUE	1/3/97



Email: info@whitsundayrc.qld.gov.au Web: www.whitsundayrc.qld.gov.au

BOWEN
67 Herbert St
Bowen 4805 Q
Ph 07 4761 3600

COLLINSVILLE
Cnr Stanley & Conway Sts
Collinsville 4804 Q
Ph 07 4785 5366

PROSERPINE
83-85 Main St
Proserpine 4800 Q
Ph 07 4945 0200

WATER SERVICE/METER ARRANGEMENT
SINGLE AND DOUBLE
(ABOVE GROUND METER)

WATER
Standard
Drawing
W-0090

C | D | E | F | G